

DS-2DF1-7XY (Released)**Key feature****IR function:**

- 0 Lux minimum illumination
- Up to 80m radiation distance
- IR light MTBF reaching up to 30,000 hours

System function:

- 1/4" SONY high performance CCD
- $\pm 0.1^\circ$ Preset Accuracy
- Self-adaptive to HIKVISION, Pelco-P/D protocol
- 3D intelligent positioning function
- Power-off memory function: restore PTZ & Lens status after reboot
- Fiber optical interface optional
- Built-in temperature sensor, with display of internal temperature

Camera function:

- Auto iris, auto focus, auto white balance, backlight compensation and auto/manual day & night switch, and WDR function optional
- Privacy masks programmable

PTZ function:

- 360° endless pan range and -10°-90° tilt range
- 240°/s Pan Preset Speed and 200°/s Tilt Preset Speed
- 0.1°-160°/s Manual Pan Speed and 0.1°-120°/s Manual Tilt Speed
- 256 presets programmable; preset image freezing capability
- 8 patrols, up to 32 presets per patrol
- 4 patterns, with the recording time not less than 10 min per pattern
- Proportional zoom function
- Park action: auto callup of PTZ movement, after a defined time of inactivity
- 7 alarm inputs and 2 alarm outputs

Network function:

- H.264 video compression and the latest DaVinci processing chip and platform

- Built-in Web server
- SD/SDHC card local storage
- Dual stream
- Multiple network protocols supported: TCP/IP, HTTP, DHCP, DNS, RTP/RTCP, PPPoE (FTP, SMTP, NTP, SNMP optional)
- 1 audio input and 1 audio output

Application Scenarios

It can be widely applied to places with no lights or weak lights requiring wide-area and high-speed monitoring, such as rivers, forests, highways, railways, airports, ports, sentries, squares, parks, scenic sites, streets, stations, large venues, outside of residential areas, etc

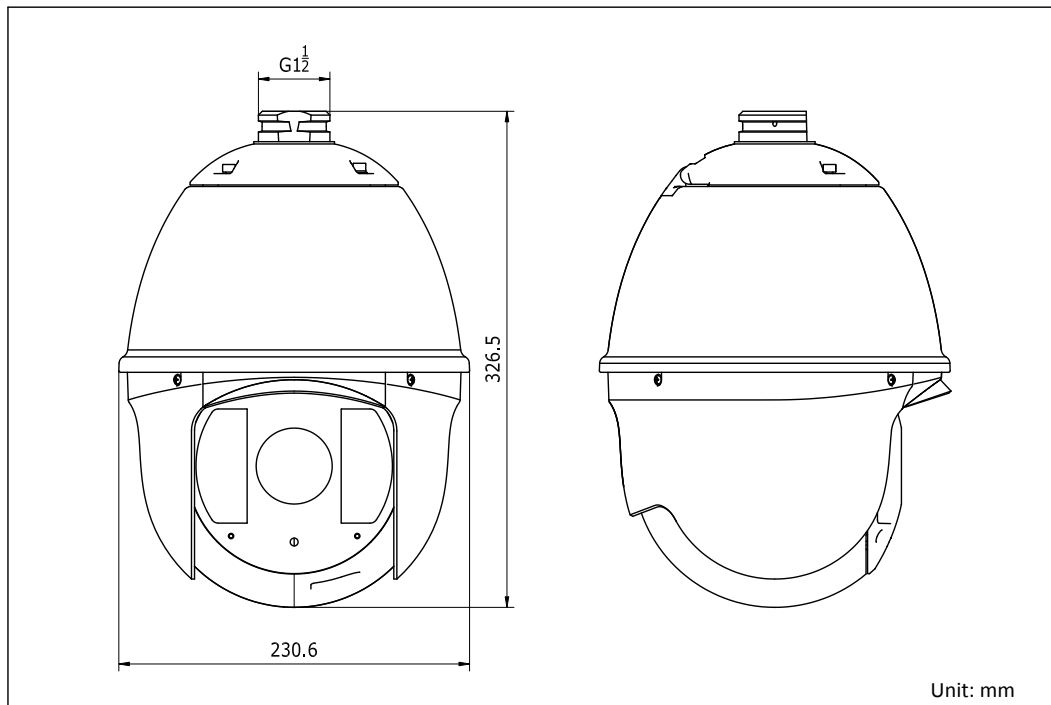
Specifications

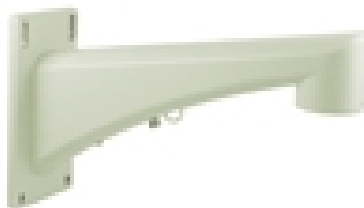
Model		DS-2DF1-714(Outdoor)	DS-2DF1-716(Outdoor)	DS-2DF1-718(Outdoor)
Parameter		Network IR High Speed Dome		
Camera	Image Sensor	1/4" Sony Super HAD CCD		
	Effective Pixel	PAL:752(H)×582(V) NTSC:768(H)×494(V)		
	Horizontal Resolution	Color: 480 TVL B/W: 520 TVL	Color: 540 TVL B/W: 570 TVL	
	Signal System	PAL /NTSC		
	Min.Illumination	Color: 0.2Lux@F1.6 B/W: 0.02Lux@F1.6 0 Lux with IR	Color: 0.2Lux/F1.4 B/W:0.02Lux/F1.4 0 Lux with IR	
	White Balance	Auto / Manual / ATW / Indoor / Outdoor		
	AGC	Auto / Manual		
	S / N Ratio	≥ 50dB		
	BLC	On / Off		
	Shutter Time	PAL: 1/3-1/10,000s NTSC: 1/4-1/10,000s	PAL:1/50-1/10,000s NTSC:1/60-1/10,000s	
	Day & Night	IR Cut Filter		
	Digital Zoom	—	16x	
	Focus Model	Auto / Semiautomatic / Manual		
Lens	Focal Length	3.84-88.4mm, 23X	3.5-105mm, 30X	3.4-122.4mm, 36X
	Zoom Speed	Approx.5.1 s (Optical Wide-Tele)	Approx.5.4s(Optical Wide-Tele)	
	Angle of View	52.2-2.36 degree(Wide-Tele)	56.4-2.0degree(Wide-Tele)	57.8-1.7degree (Wide-Tele)
	Min. Working Distance	10-1,200mm(Wide-Tele)	10-1,000mm(Wide-Tele)	
	Aperture Range	F1.6 - F4.5	F1.4 - F3.7	F1.6 - F4.5
Pan and Tilt	Pan Range	360°endless		
	Pan Speed	Pan Manual Speed: 0.1°-160°/s,		

		Pan Preset Speed: 240°/s
	Tilt Range	-10°-90° (Auto Flip)
	Tilt Speed	Tilt Manual Speed: 0.1°-120°/s, Tilt Preset Speed: 200°/s
	Proportional Zoom	Rotation speed can be adjusted automatically according to zoom multiples
	Number of Preset	256
	Patrol	8 patrols, up to 32 presets per patrol
	Pattern	4 patterns, with the recording time not less than 10 min per pattern
	Power-off Memory	Support
	Park Action	Preset / Patrol / Pattern / Pan scan / Tilt scan / Random scan / Frame scan / Panorama scan
	PTZ Position Display	On / Off
	Freeze Frame	- Support
Infrared	IR irradiation distance	80m
	IR irradiation angle	Adjustable by zoom
Alarm	Alarm Input	7
	Alarm Output	2 relay outputs, alarm response actions configurable
	Alarm Action	Preset, Patrol, Pattern, SD/SDHC card recording, Relay output, Notification on Client
Input/Output	Monitor Output	1.0V[p-p] / 75Ω, NTSC (or PAL) composite, BNC
	Audio Input	Audio input (LINE input), 2-2.4V[p-p]; output impedance: 1KΩ, ±10%
	Audio Output	Line level, impedance: 600Ω
Network	Ethernet	10Base-T / 100Base-TX, RJ45 connector
	Max. Image Resolution	PAL: 704×576 NTSC: 704×480
	Frame Rate	PAL: 25 fps (704×576) NTSC: 30 fps (704×480)
	Image Compression	H.264
	Audio Compression	G.711 / 16kbps
	Audio Mode	Off / Audio input / Audio output
	Protocols	TCP/IP, HTTP, DHCP, DNS, RTP / RTCP, PPPoE, FTP, SMTP, NTP, SNMP
	No. of Simultaneous Users	Up to 6 users
	Dual Streams	Support
	Mini SD Memory Card	Manual REC / Alarm REC. Built-in SD/SDHC Slot, up to 32GB
	User/Host Level	3 Levels: Administrator, Camera control, Live view only
	Security Measures	User authentication (ID and PW), Host authentication (MAC address)
Client GUI	Camera Control	Pan / Tilt, Zoom, Focus, Click centering, Drag zoom, Iris, Preset position call and program, Auto mode.
	Camera Name	Up to 18 characters
	Date & Time Display	Time: Week: Date, 6 formats on the Client
	Reading Patrol	Display and reading of preset message contained in each patrol via client software

	Message	
Fiber Interface (available for fiber dome only)	Data Mode	10Base-T / 100Base-TX
	Physical Interface	FC(SC optional)
	Fiber Wavelength	TX1310/RX1550nm
	Fiber Type	Single Fiber/Singlemode
	Transmission Distance	20Km, with 40Km, 60Km and 80Km optional
General	Menu Language	English, Chinese
	RS-485 Protocols	HIKVISION, Pelco-P, Pelco-D, self-adaptive
	Power Supply	24VAC (12V DC optional)
	Power Consumption	40W max
	Working Temperature / Humidity	-30 °C-65°C(-22°F-149°F)(outdoor) 90% or less
	Protection Level	IP66 standard (outdoor dome) TVS 3,000V lightning protection, surge protection and voltage transient protection
	Mounting	Various mounting modes optional
	Dimension	Φ230.6 ×326.5mm (Φ9.08" ×12.85") (Outdoor)
	Weight (approx.)	5.5kg(12.13lbs)
	Mount Option	Long-arm wall mount: DS-1614ZJ; Indoor short-arm wall mount: DS-1615ZJ Corner mount: DS-1633ZJ; Pole Mount: DS-1622ZJ; Power box mount:DS-1634ZJ

Dimension



Accessories

DS-1614ZJ Long-arm Wall Mount Bracket